



2PT.CO.,LTD.

29 SOI CHALERMPRAKIET RAMA 9,30/28

DOKMAI PRAWET BANGKOK 10250

TEL:(66)2-726-2675-7 FAX:(66)2-726-2674

MOBILE/ID LINE : 080-251-4646

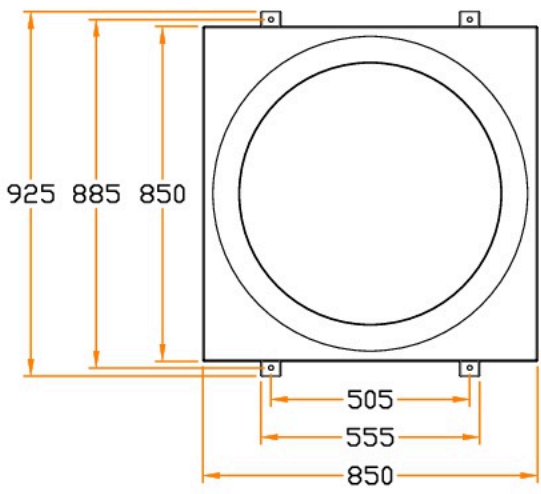
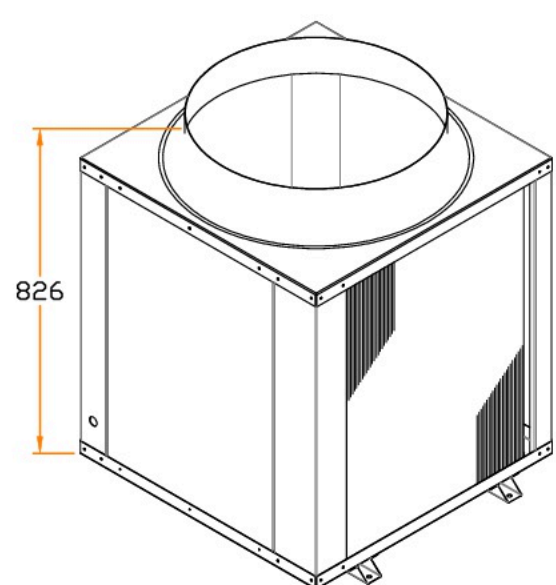
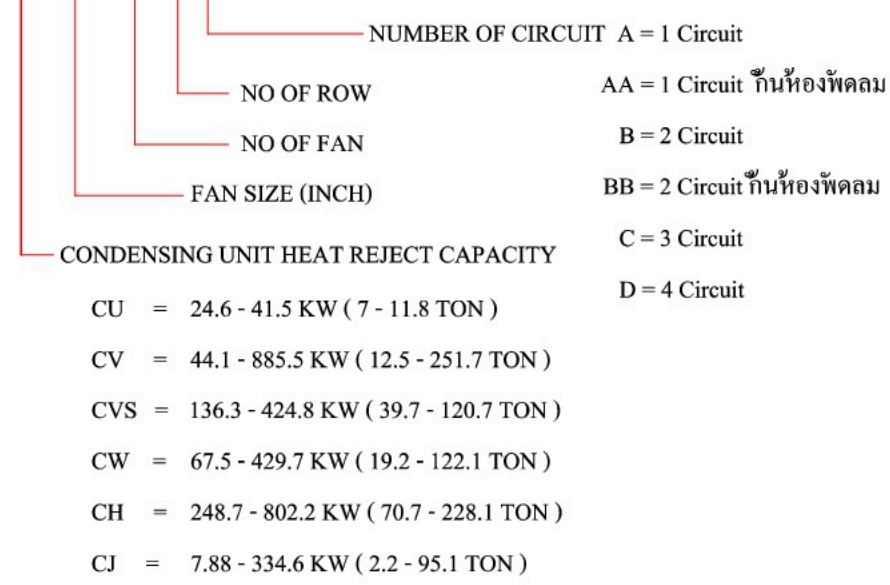


3Q PRODUCT

MODEL CW 32 - 2 - 3 B

MOLD FIN COIL

Tube	Pitch	FIN/Inch
3/8"	25.4 x 19.05	12 - 14
	25.4 x 22.22	6 - 14
1/2"	31.75 x 27.5	10 - 14
	35 x 35	4 - 6
5/8"	38.1 x 33	8 - 14
	50 x 50	3 - 6



AIRCOOL CONDENSER MODEL CU26

MODEL	HEAT REJECT TD=15		CONNECTION		FAN MOTOR			SURFACE AREA(IN ²)	APPROX WEIGHT(kg)
	KW	TON	INLET	OUTLET	AIRFLOW CFM	POWER KW	CURRENT FLA		
CU26-1-1A	26.07	7.41	7/8"	5/8"	9,900	0.75	2.95	3,042	95
CU26-1-2A	44.18	12.56	7/8"	5/8"	9,900	0.75	2.95	2,968	115

TD=15 at R22 ambient temp 38°C and condensing temp 53°C

TD12.5 = TD15 x 0.812

TD10 = TD15 x 0.625

R134a = HEAT REJECT x 0.994 , R404a = HEAT REJECT x 1.025

R410a = HEAT REJECT x 1.055 , R32 = HEAT REJECT x 1.059



2PT.CO.,LTD.

29 SOI CHALERMPRAKIET RAMA 9,30/28

DOKMAI PRAWET BANGKOK 10250

TEL:(66)2-726-2675-7 FAX:(66)2-726-2674

MOBILE/ID LINE : 080-251-4646



3Q PRODUCT

MOLD FIN COIL

Tube	Pitch	FIN/Inch
3/8"	25.4 x 19.05	12 - 14
	25.4 x 22.22	6 - 14
1/2"	31.75 x 27.5	10 - 14
	35 x 35	4 - 6
5/8"	38.1 x 33	8 - 14
	50 x 50	3 - 6

MODEL DVF 32 - 2 - 3 S

